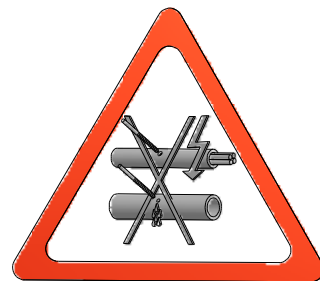
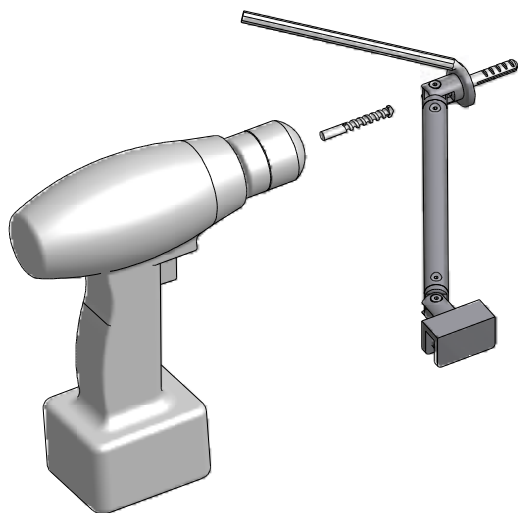
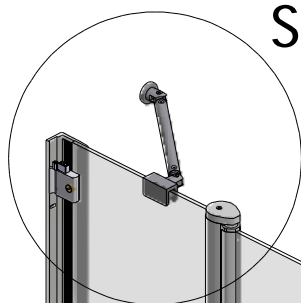


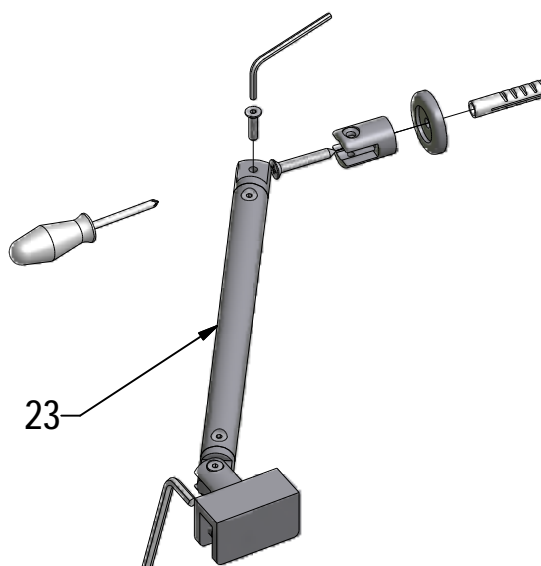
S1



S

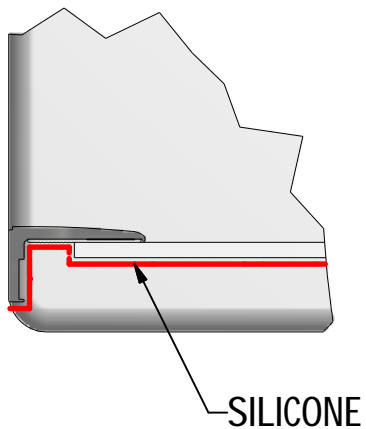
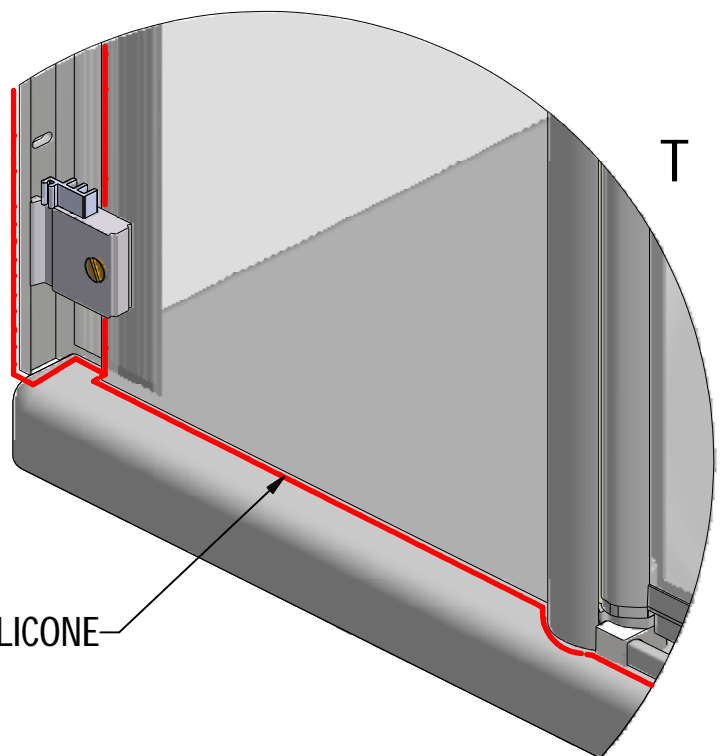
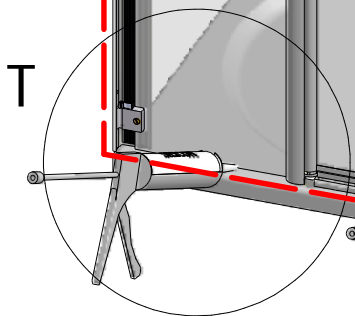
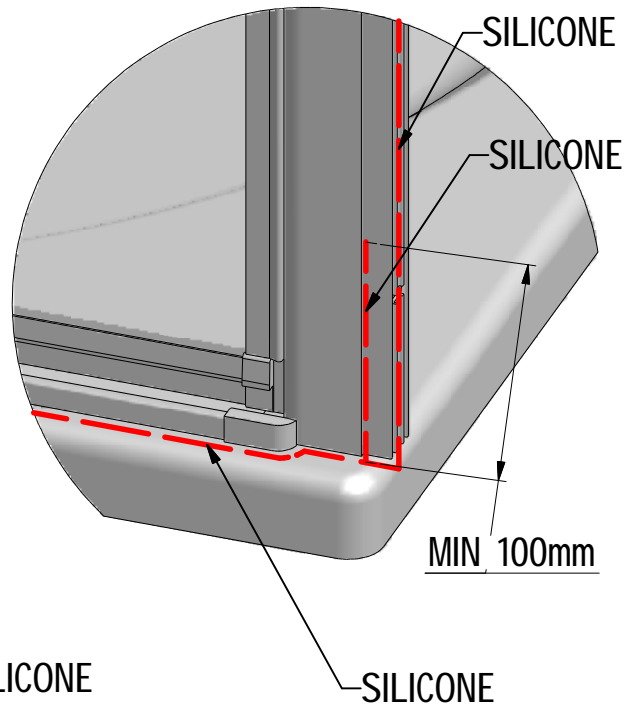
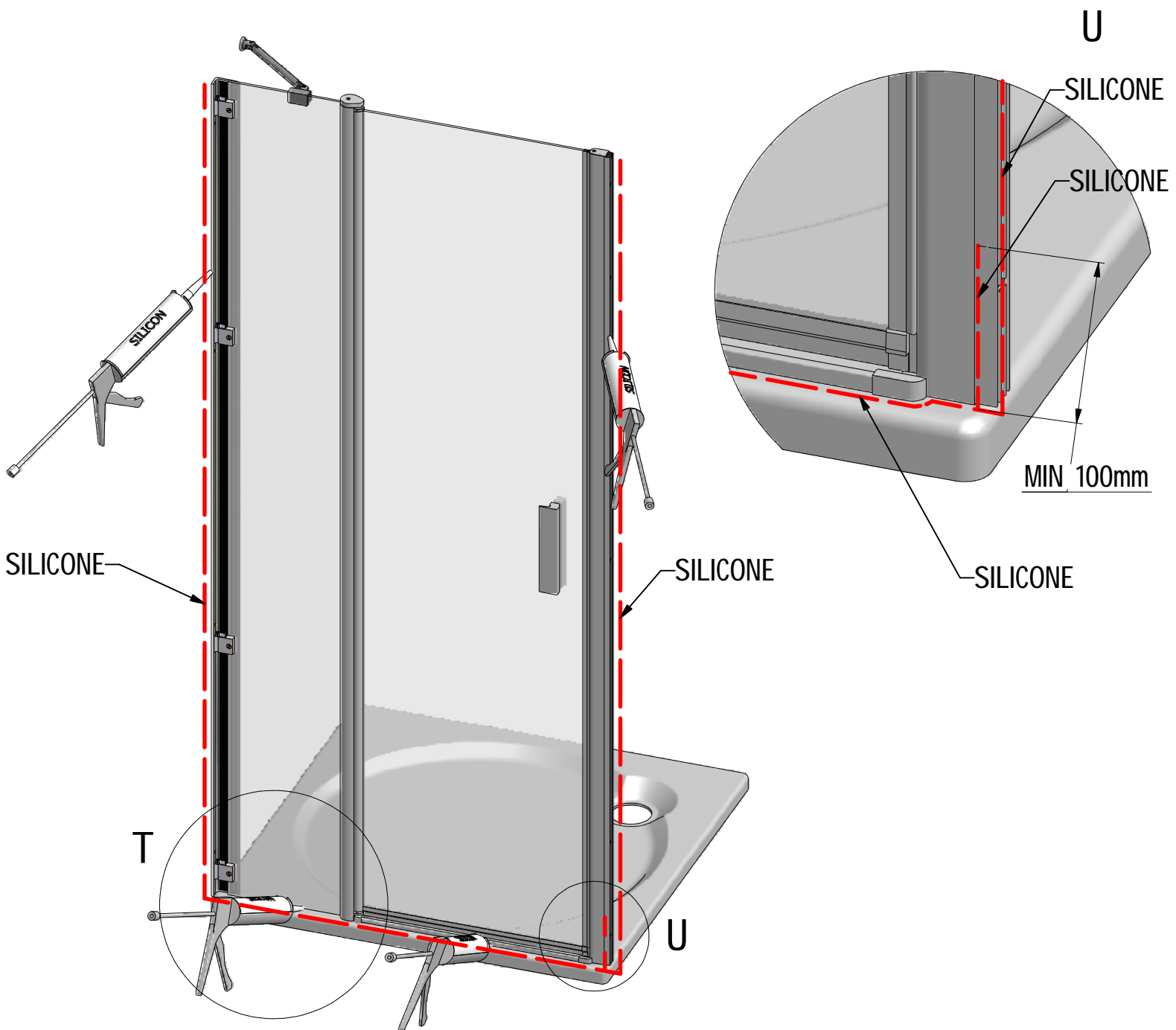


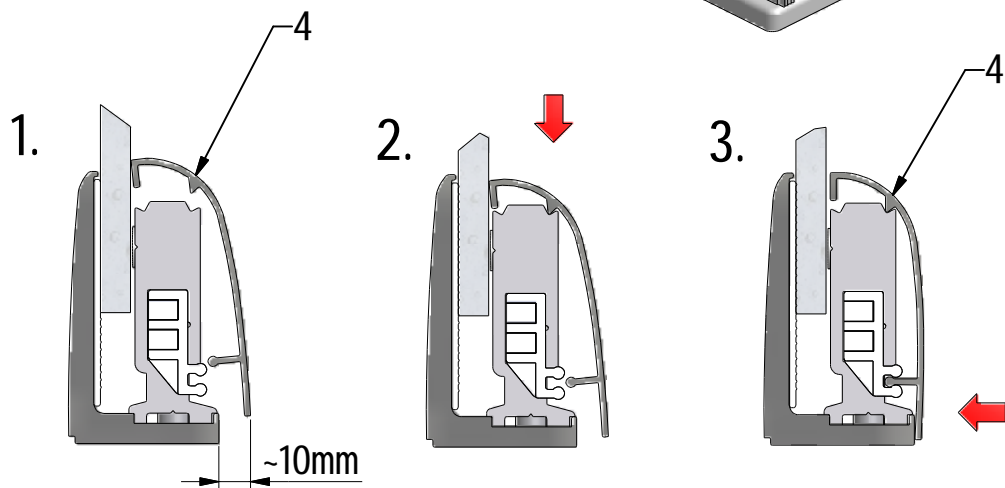
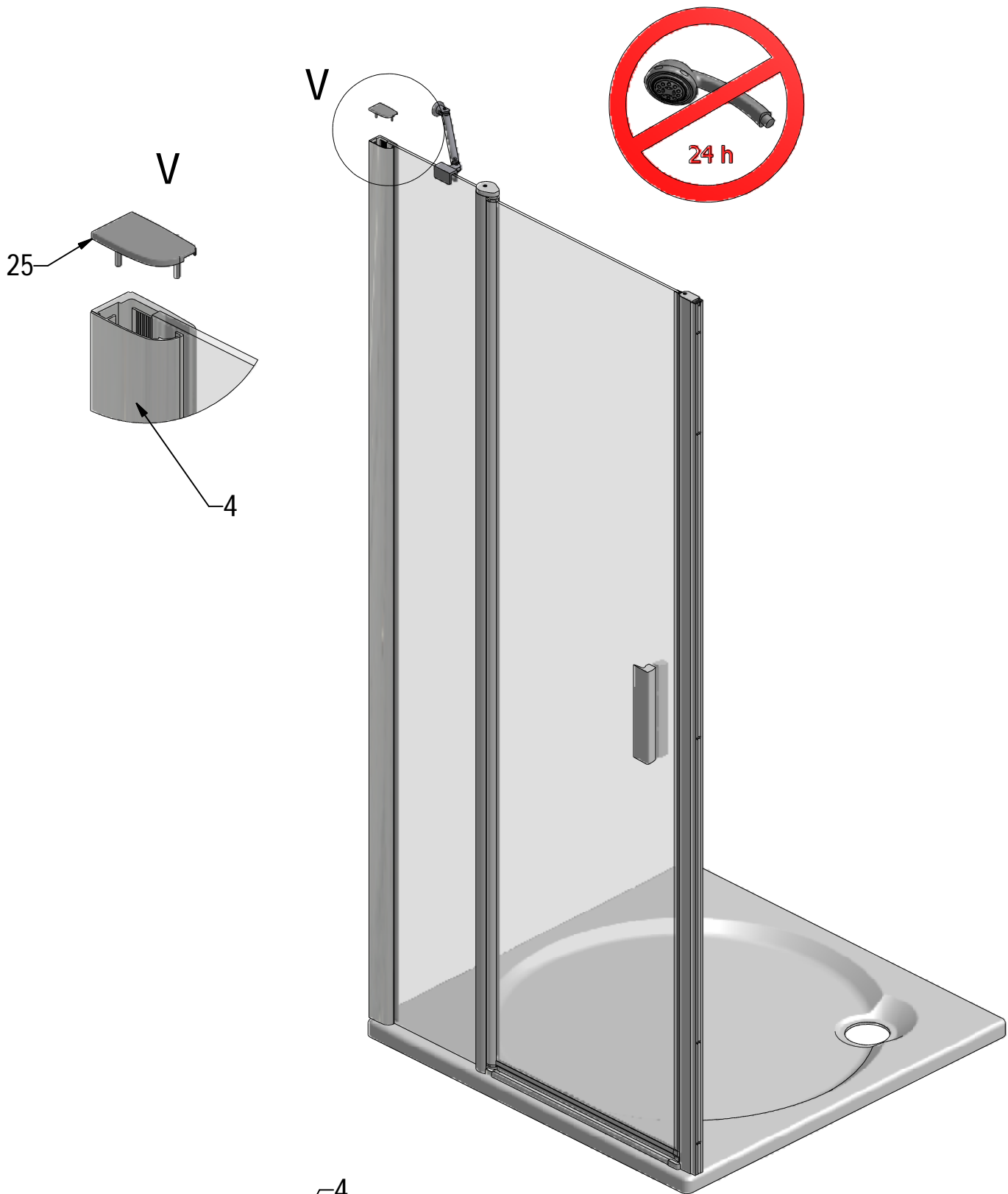
S2



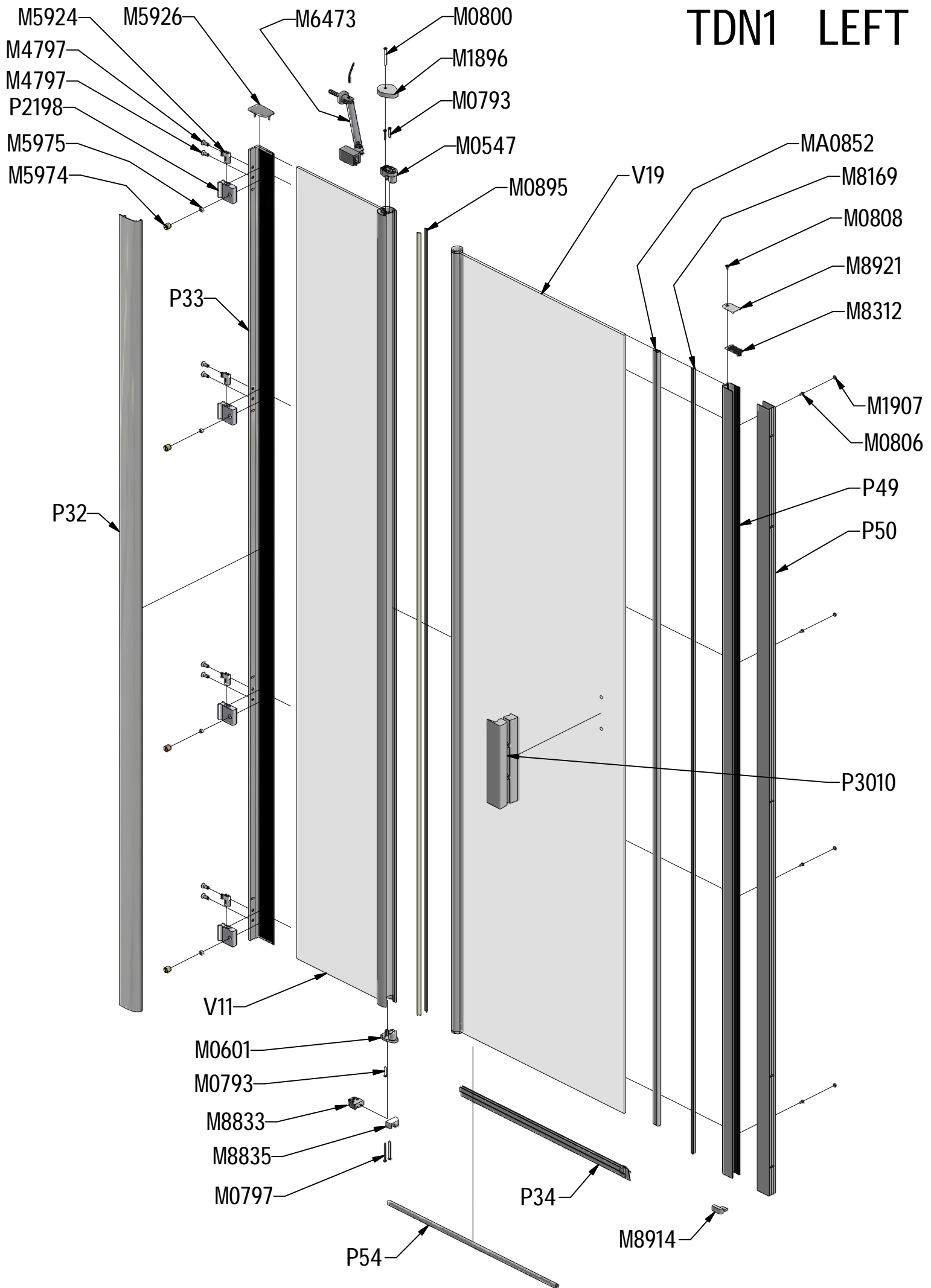
23







TDN1 LEFT



TDN1 RIGHT

