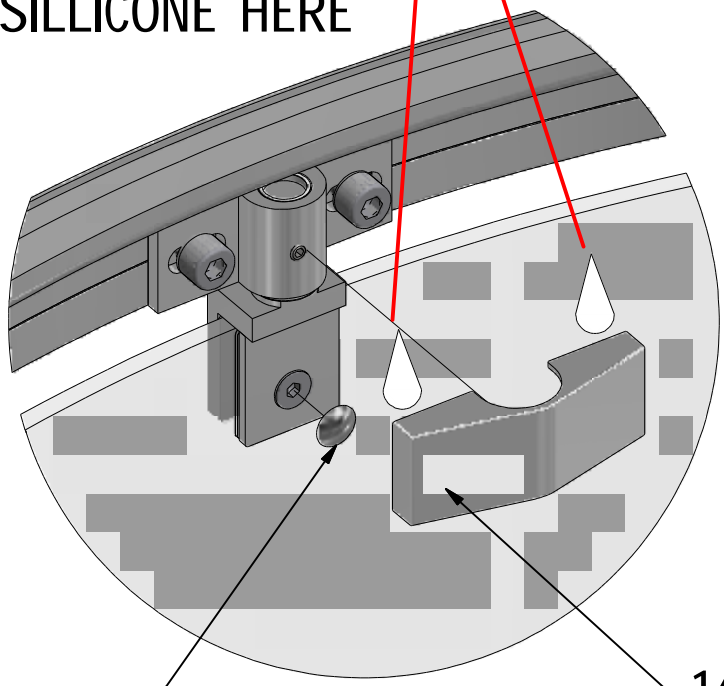


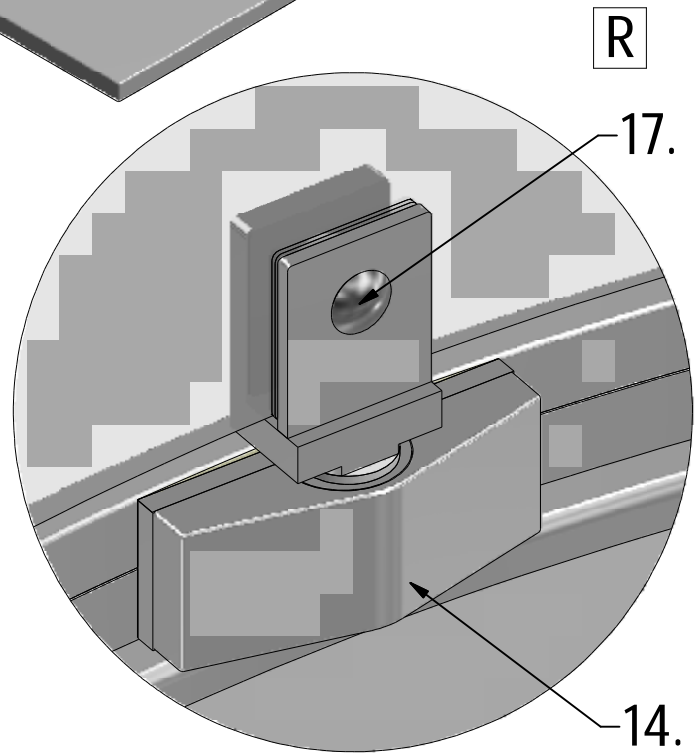
Q

SILLICONE HERE



17.

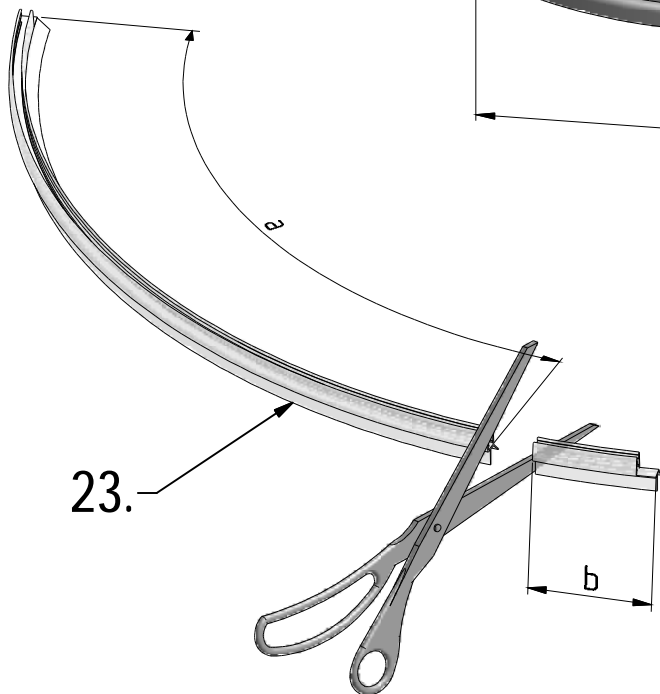
14.



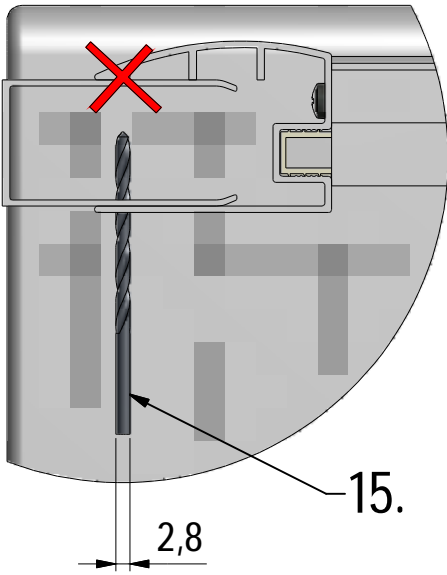
R

17.

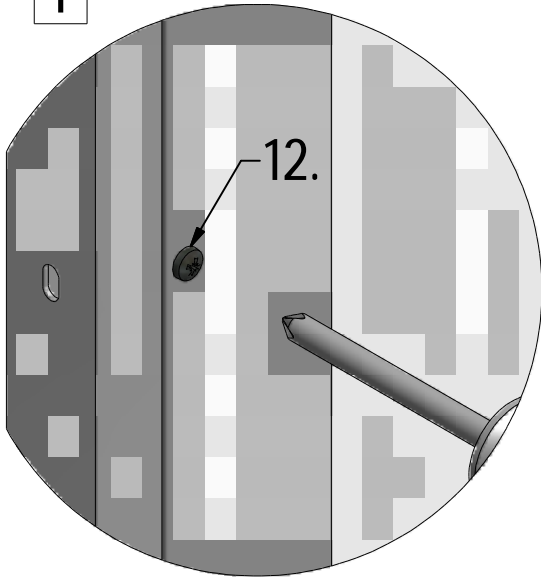
14.



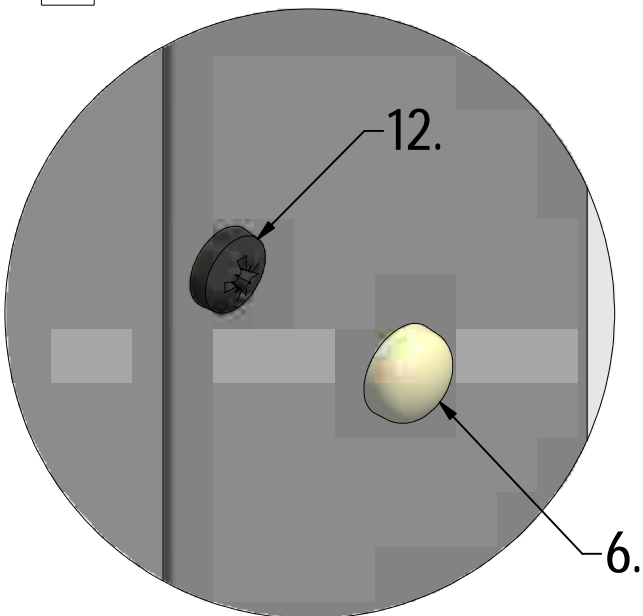
S



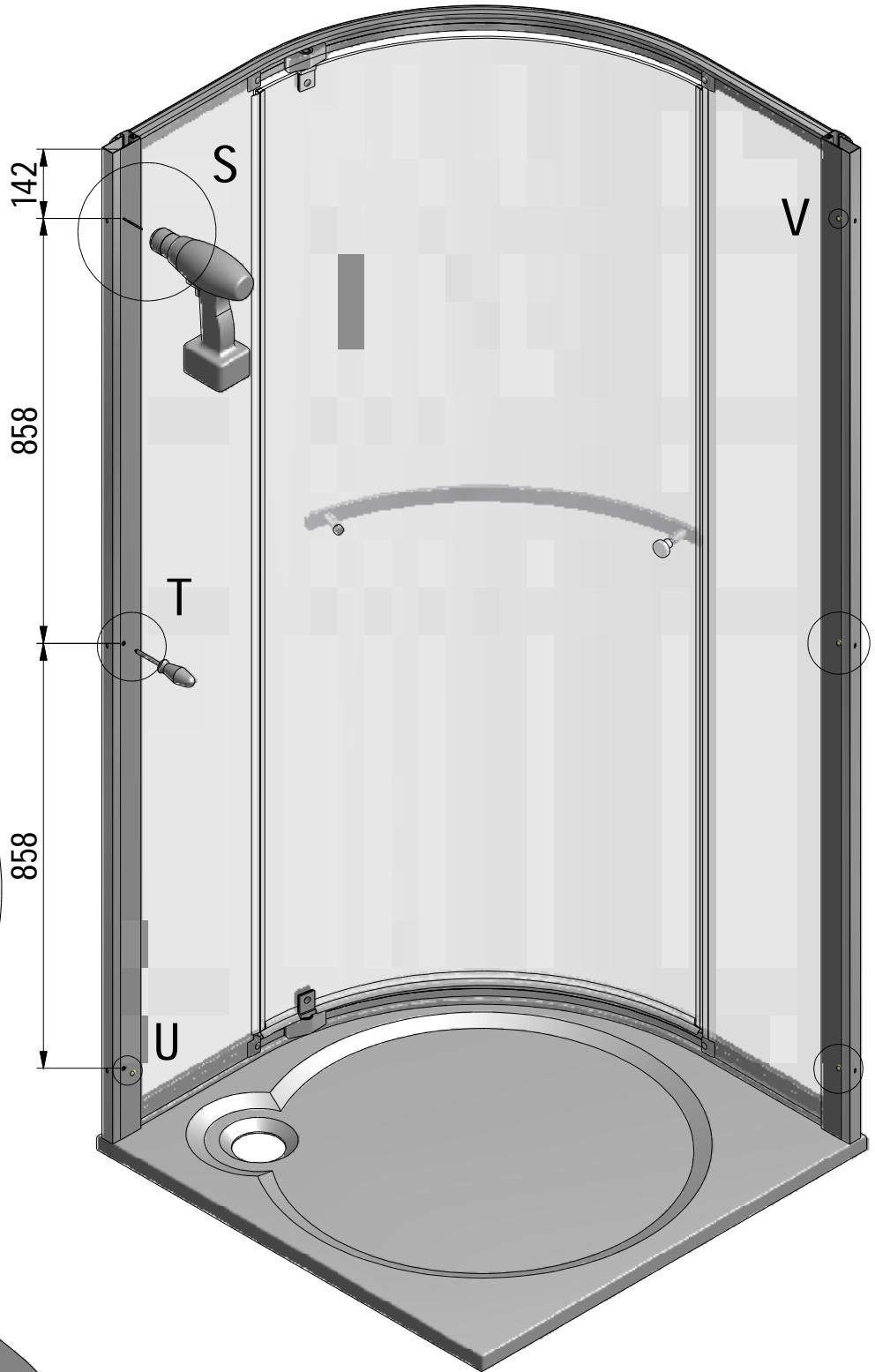
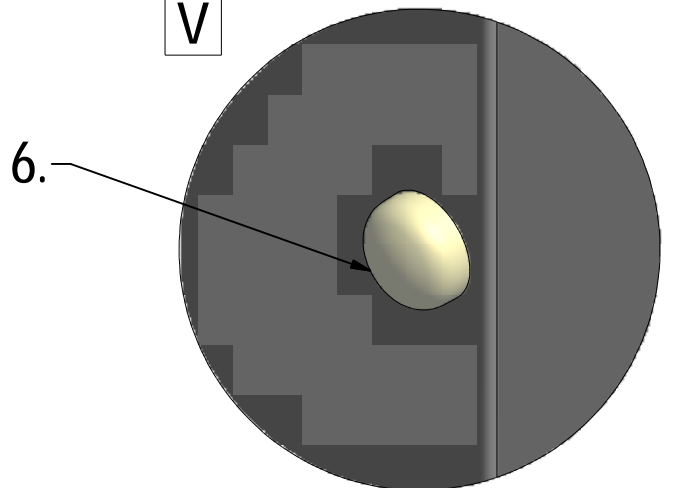
T

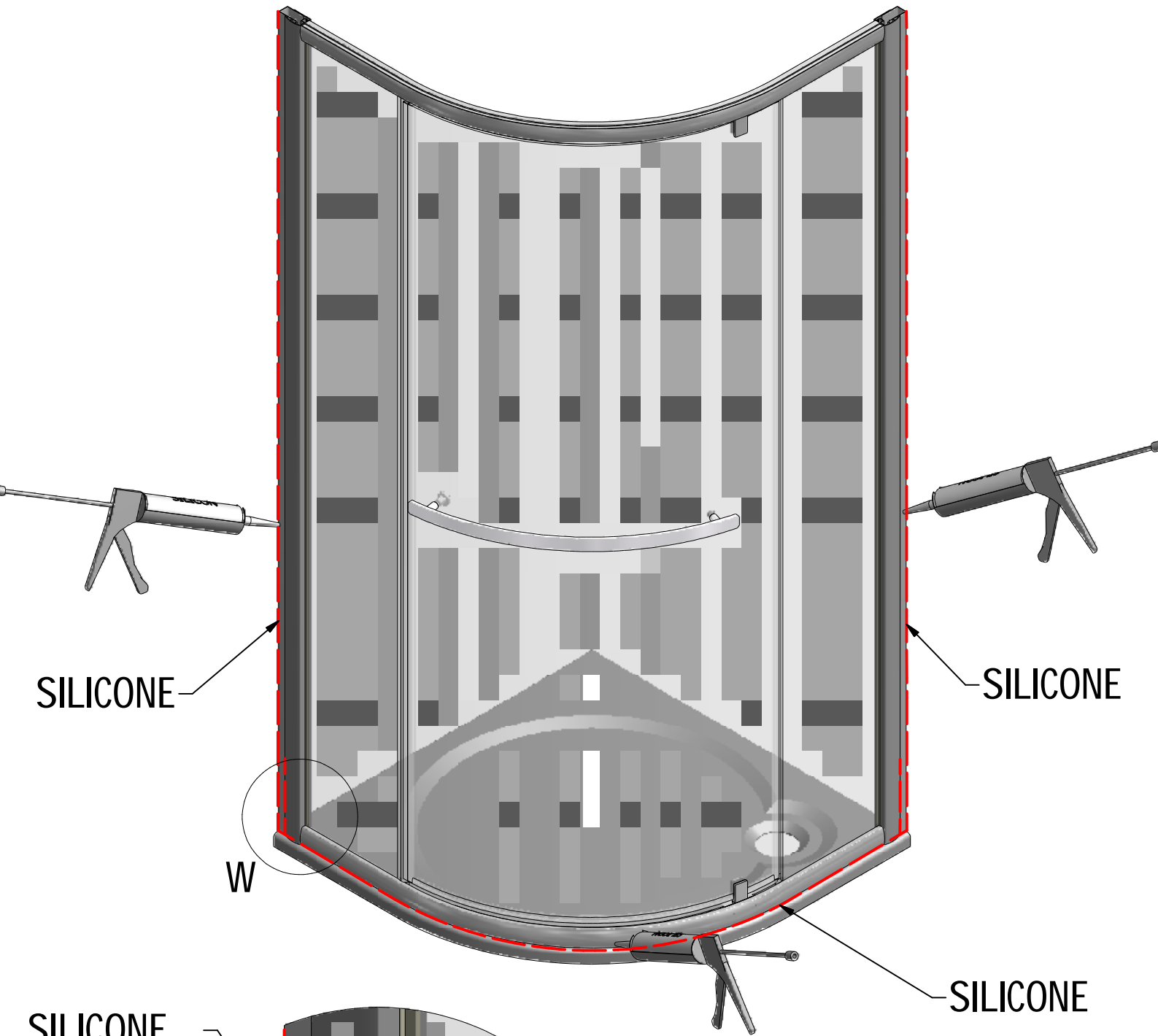


U



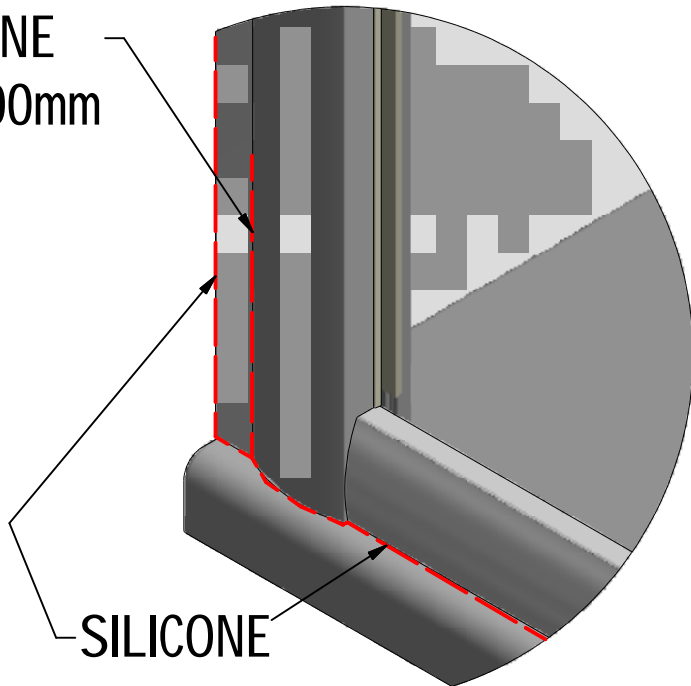
V

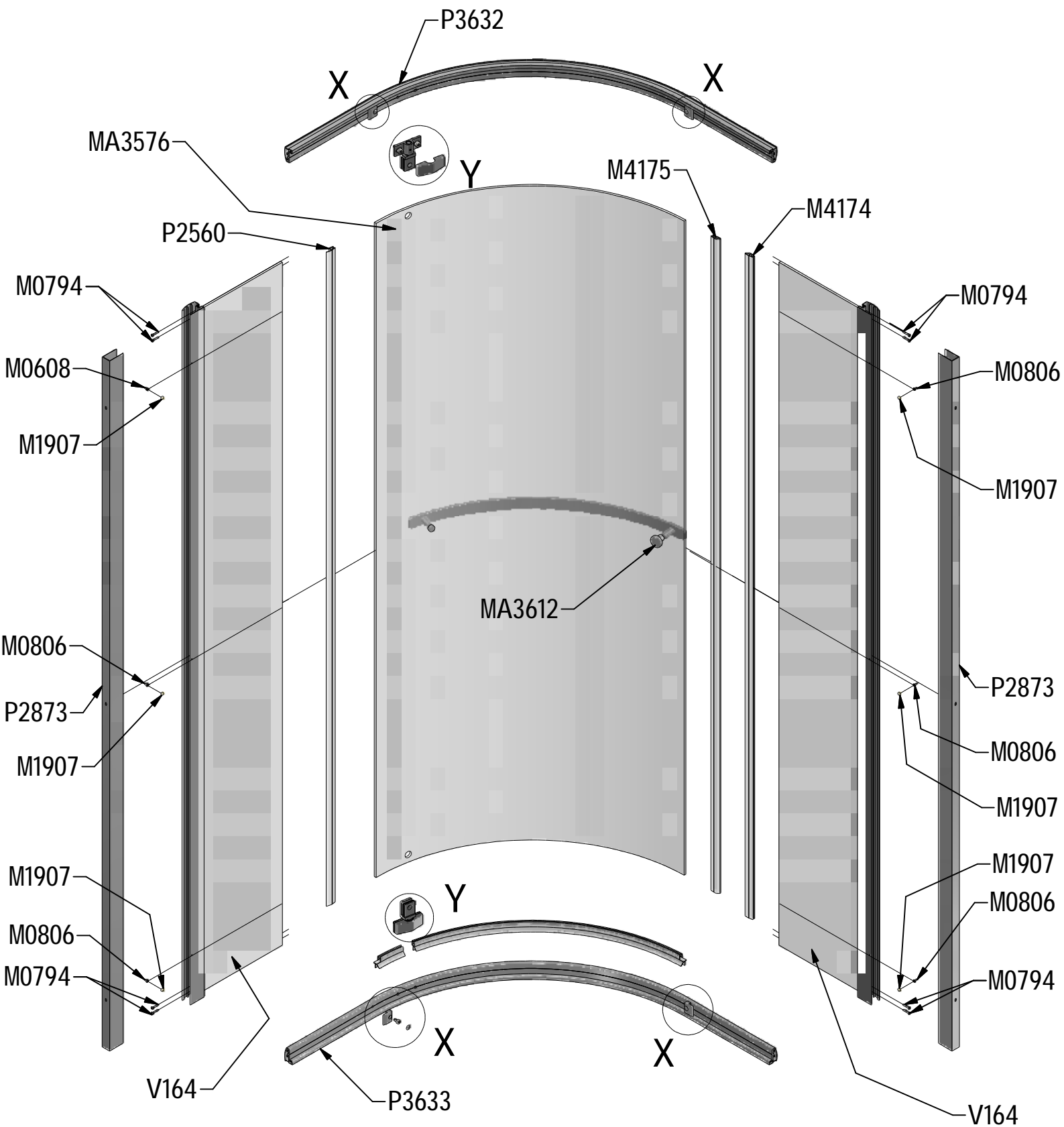




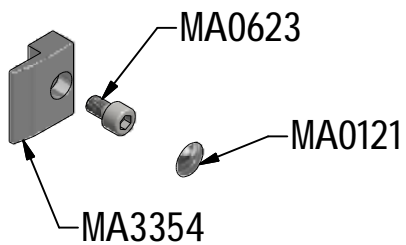
SILICONE
MIN 100mm

W

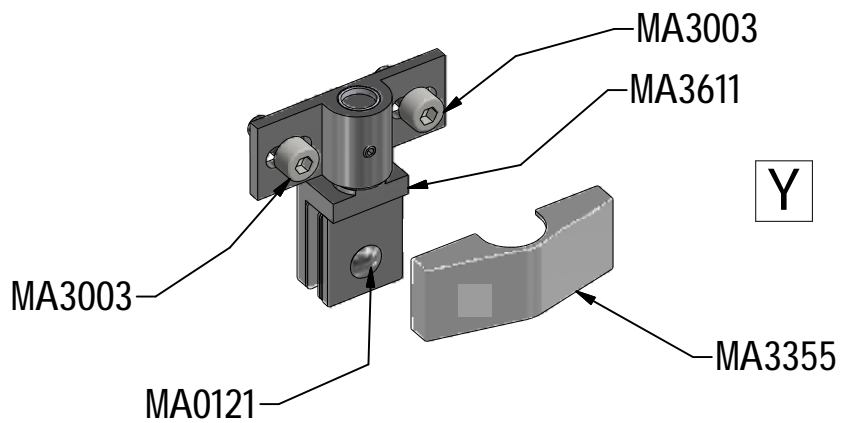




X



Y



V164	900	Left	ND03-0628
	900	right	ND03-0629