

Product: KLUDI LOGO NEO single lever basin mixer DN 10

Ref.: 372760575

Product description

single lever basin mixer DN 10
 solid lever
 single hole mounted
 flow rate 5 l/min
 flow straightener M 24 x l
 ceramic cartridge with hot water safety device
 pop up waste 1 1/4 inch
 rapid installation set
 flexible high pressure supply tubes G 3/8
 for use with displacement heaters
 noise group I
 P- IX 19338/l

Finishes:
 chrome

Product picture

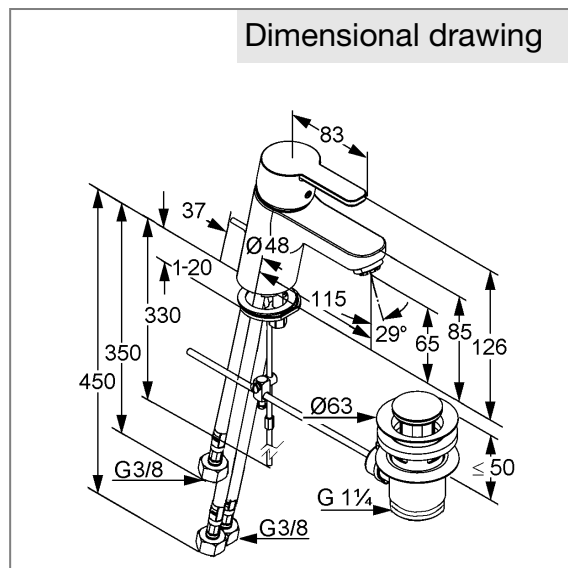


Advertisement

- * KLUDI GmbH & Co KG KLUDI LOGO NEO single lever basin mixer DN 10 item no. 372760575
- ** ceramic cartridge with hot water safety device Ø 35 mm, DIN EN 817
- *** chrome plated brass, DIN 50930-6

single lever basin mixer, manufacturer KLUDI GmbH & Co KG KLUDI LOGO NEO single lever basin mixer item no. 372760575, DN 10, chrome plated brass, solid lever, noise level DIN EN 4109 group I, report no P- IX 19338/l, type: single lever basin mixer DN 10, ceramic cartridge with hot water safety device Ø 35 mm, flow rate 5 l/min, pop up waste 1 1/4 inch, flexible high pressure supply tubes 3/8 inch with DVGW / KIWA / WRAS / CSTB with metal body length 350 / 450 mm, nozzle projection 115 mm, nozzle height 65 mm, lever projection 83 mm, rapid installation set, flow straightener M 24 x l, overall length 126 mm, for use with displacement heaters, PN 0,

Dimensional drawing



Flow rate diagram

