

Product: KLUDI LOGO NEO single lever basin mixer DN 8

Ref.: 372810575

Product description

single lever basin mixer DN 8
 solid lever
 single hole mounted
 flow class Z
 eco-aerator M 24 x I
 ceramic cartridge with hot water safety device
 pop up waste 1 1/4 inch
 rapid installation set
 flexible high pressure supply
 tubes with socket pipe end Ø 10 mm
 noise group I
 P- IX 19334/IZ

Finishes:
 chrome

Product picture

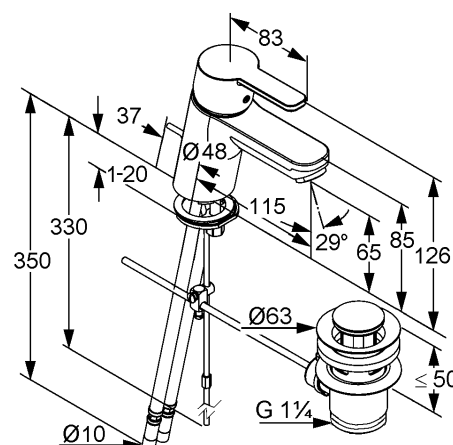


Advertisement

- * KLUDI GmbH & Co KG KLUDI LOGO NEO single lever basin mixer DN 8 item no. 372810575
- ** ceramic cartridge with hot water safety device Ø 35 mm, DIN EN 817
- *** chrome plated brass, DIN 50930-6

single lever basin mixer, manufacturer KLUDI GmbH & Co KG KLUDI LOGO NEO single lever basin mixer item no. 372810575, DN 8, chrome plated brass, ceramic cartridge with hot water safety device Ø 35 mm, solid lever, noise level DIN EN 4109 group I, report no. P- IX 19334/IZ, type: single lever basin mixer DN 8, flow class Z (max. 0,15 l/s), eco aerator M 24 X I Z, pop up waste 1 1/4 inch, flexible high pressure supply tubes with socket pipe end Ø 10 mm with DVGW / KIWA / WRAS / CSTB with metal body length 350 mm, nozzle projection 115 mm, nozzle height 65 mm, lever projection 83 mm, rapid installation set, overall length 126 mm, for pressure type water heater, for continuous line heater, PN 10,

Dimensional drawing



Flow rate diagram

