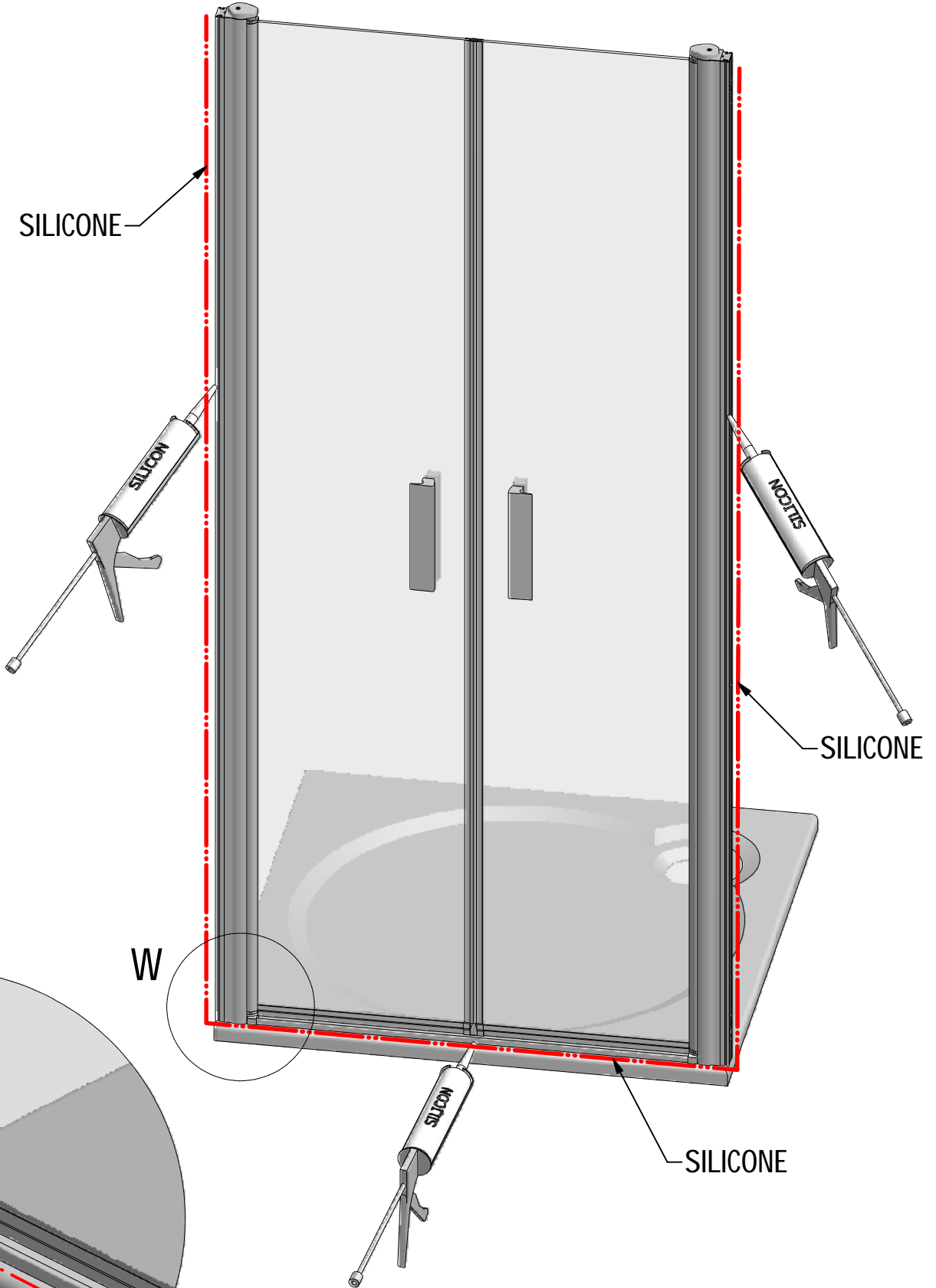




SILICONE



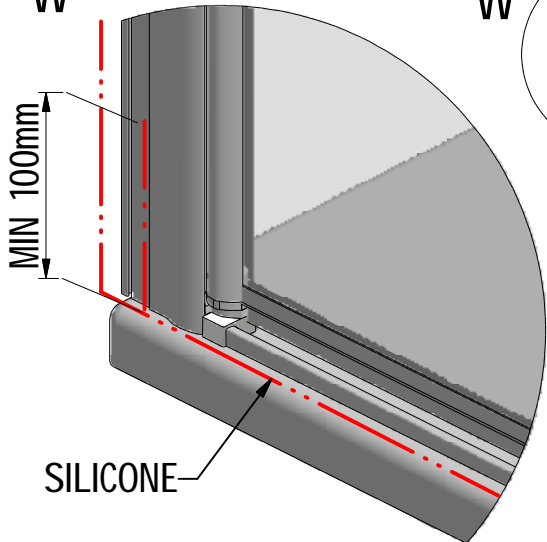
SILICONE

SILICONE

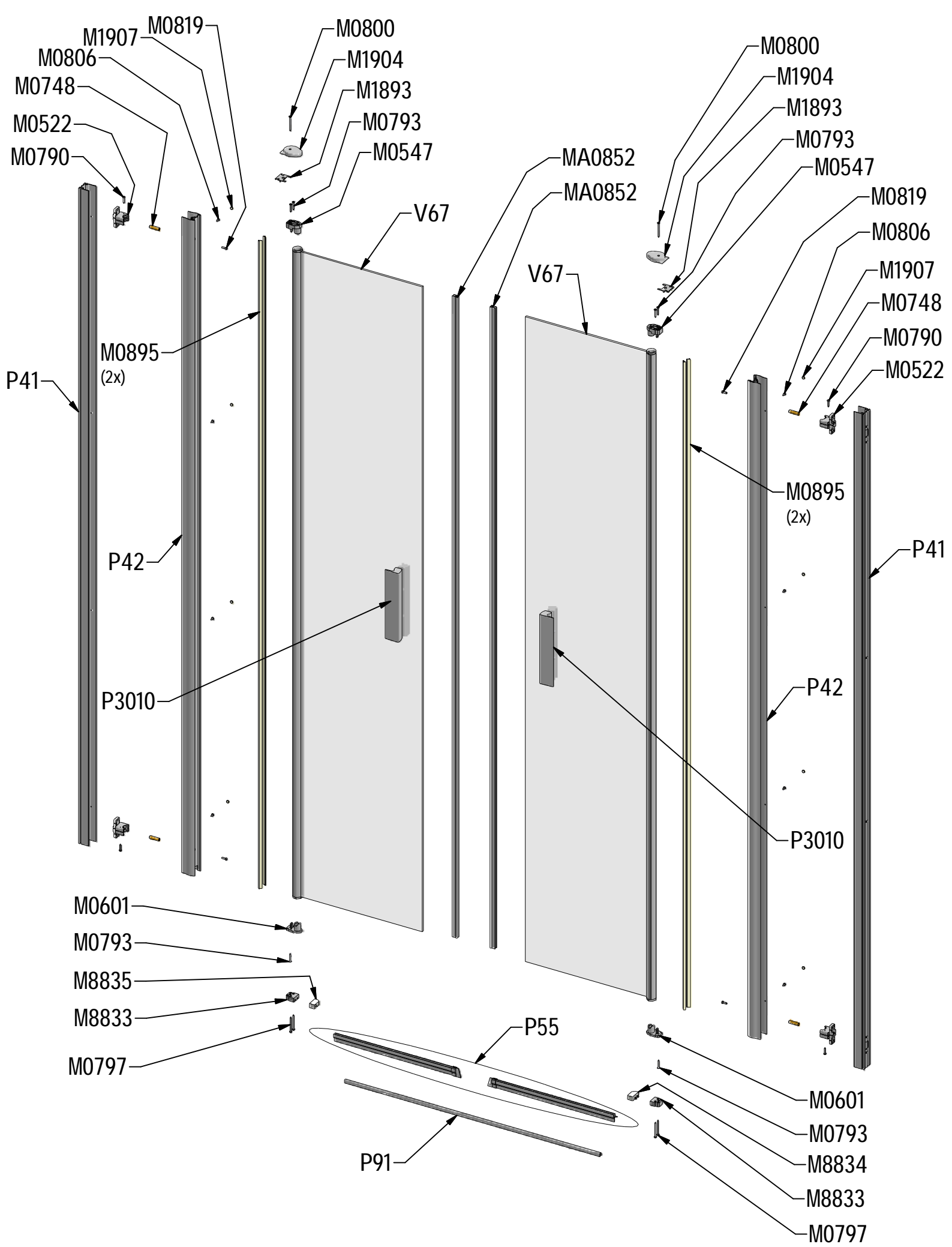
W

W

MIN 100mm



SILICONE



P41		brillant		P1957
		elox		P1956
P42		brillant		P1963
		elox		P1962
P55				ND01-2422
P91	800			ND01-2524-8
	900			ND01-2524-9
	1000			ND01-2524-10
	1100			ND01-2524-11
	1200			ND01-2524-12

V67	800	brillant+clear glass	brillant+transparent	ND02-0574-00-02
		brillant+intima glass	brillant+intima	ND02-0574-00-20
		elox+clear glass	elox+transparent	ND02-0574-01-02
		elox+intima glass	elox+intima	ND02-0574-01-20
	900	brillant+clear glass	brillant+transparent	ND02-0575-00-02
		brillant+intima glass	brillant+intima	ND02-0575-00-20
		elox+clear glass	elox+transparent	ND02-0575-01-02
		elox+intima glass	elox+intima	ND02-0575-01-20
	1000	brillant+clear glass	brillant+transparent	ND02-0505-00-02
		brillant+intima glass	brillant+intima	ND02-0505-00-20
		elox+clear glass	elox+transparent	ND02-0505-01-02
		elox+intima glass	elox+intima	ND02-0505-01-20
	1100	brillant+clear glass	brillant+transparent	ND02-0576-00-02
		brillant+intima glass	brillant+intima	ND02-0576-00-20
		elox+clear glass	elox+transparent	ND02-0576-01-02
		elox+intima glass	elox+intima	ND02-0576-01-20
	1200	brillant+clear glass	brillant+transparent	ND02-0506-00-02
		brillant+intima glass	brillant+intima	ND02-0506-00-20
		elox+clear glass	elox+transparent	ND02-0506-01-02
		elox+intima glass	elox+intima	ND02-0506-01-20



ROLTECHNIK a.s. / Třeboňov 160 / 569 33,  
CZECH REPUBLIC

11

**EN 14428:2008+A1**