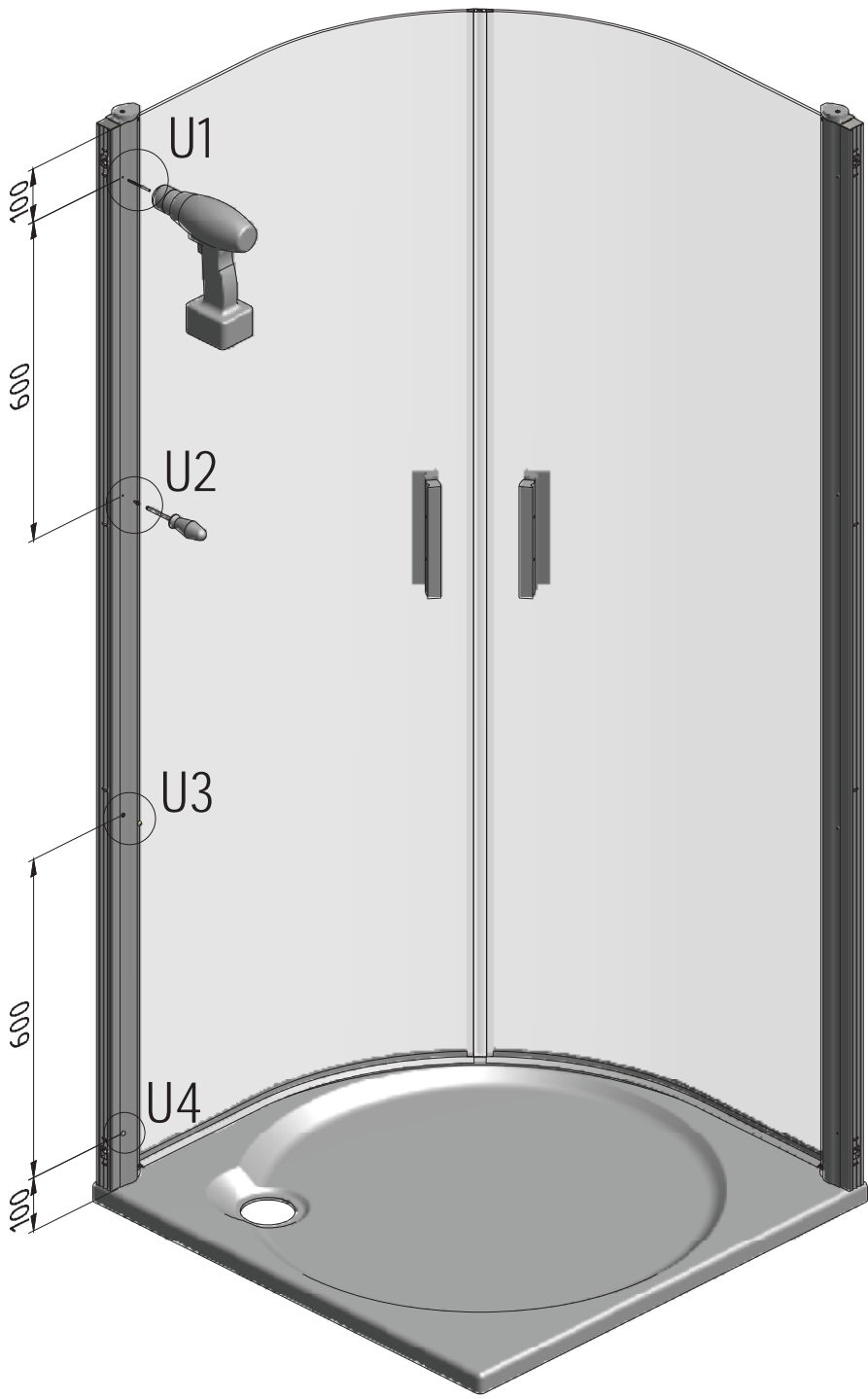
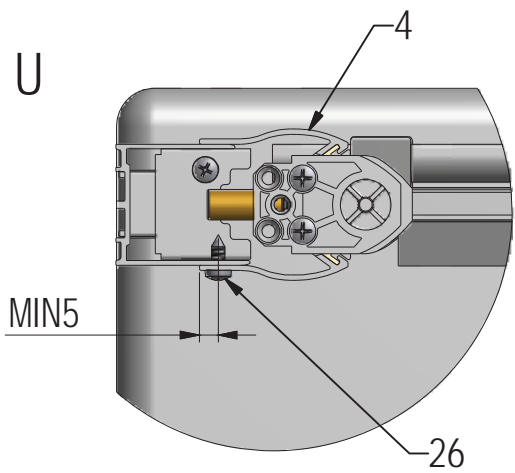
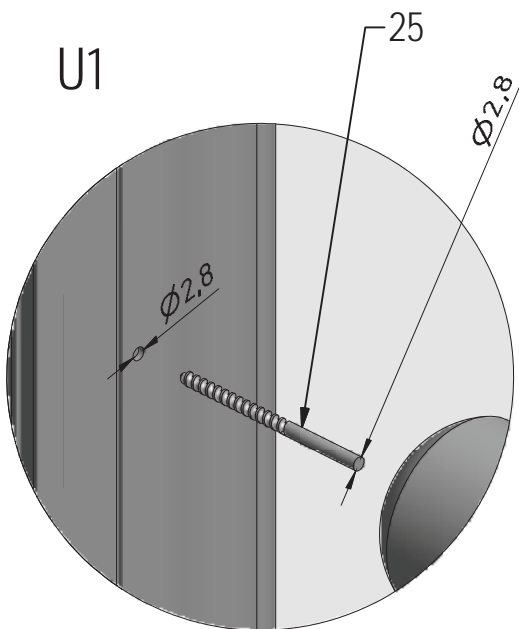


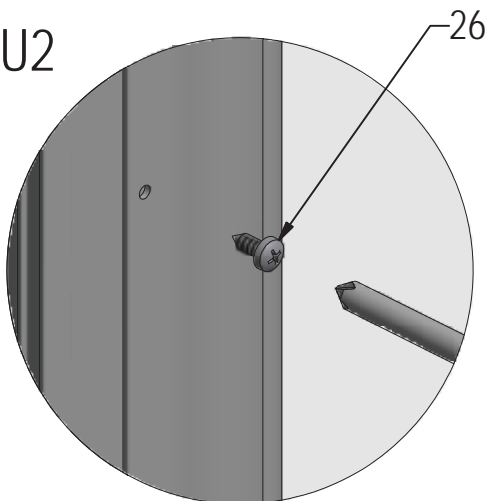
U



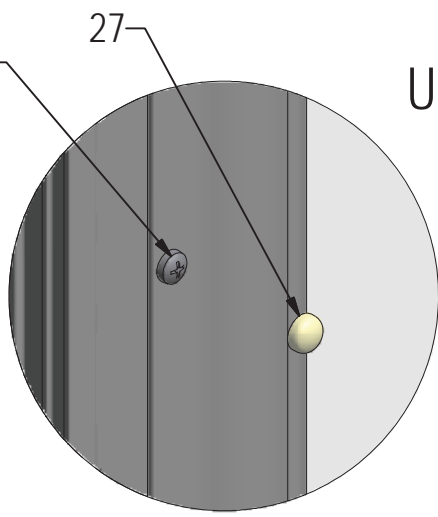
U1



U2

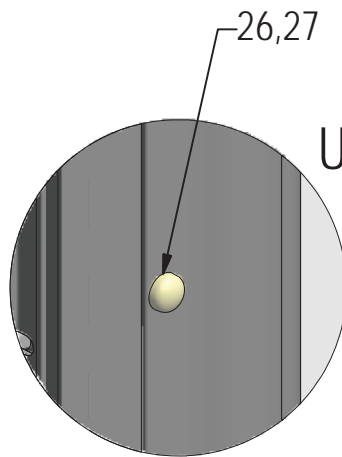


26



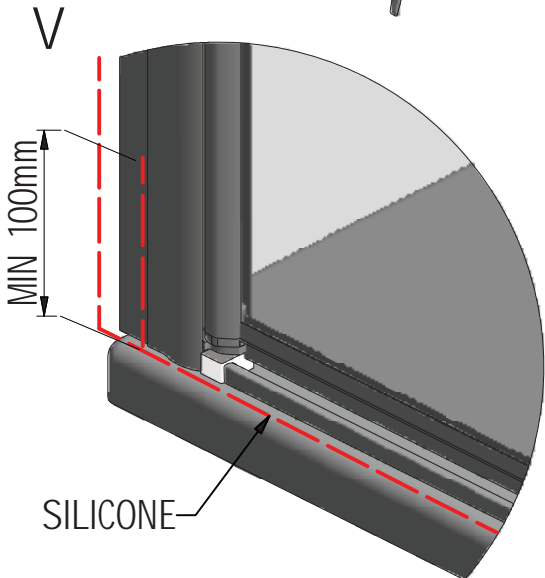
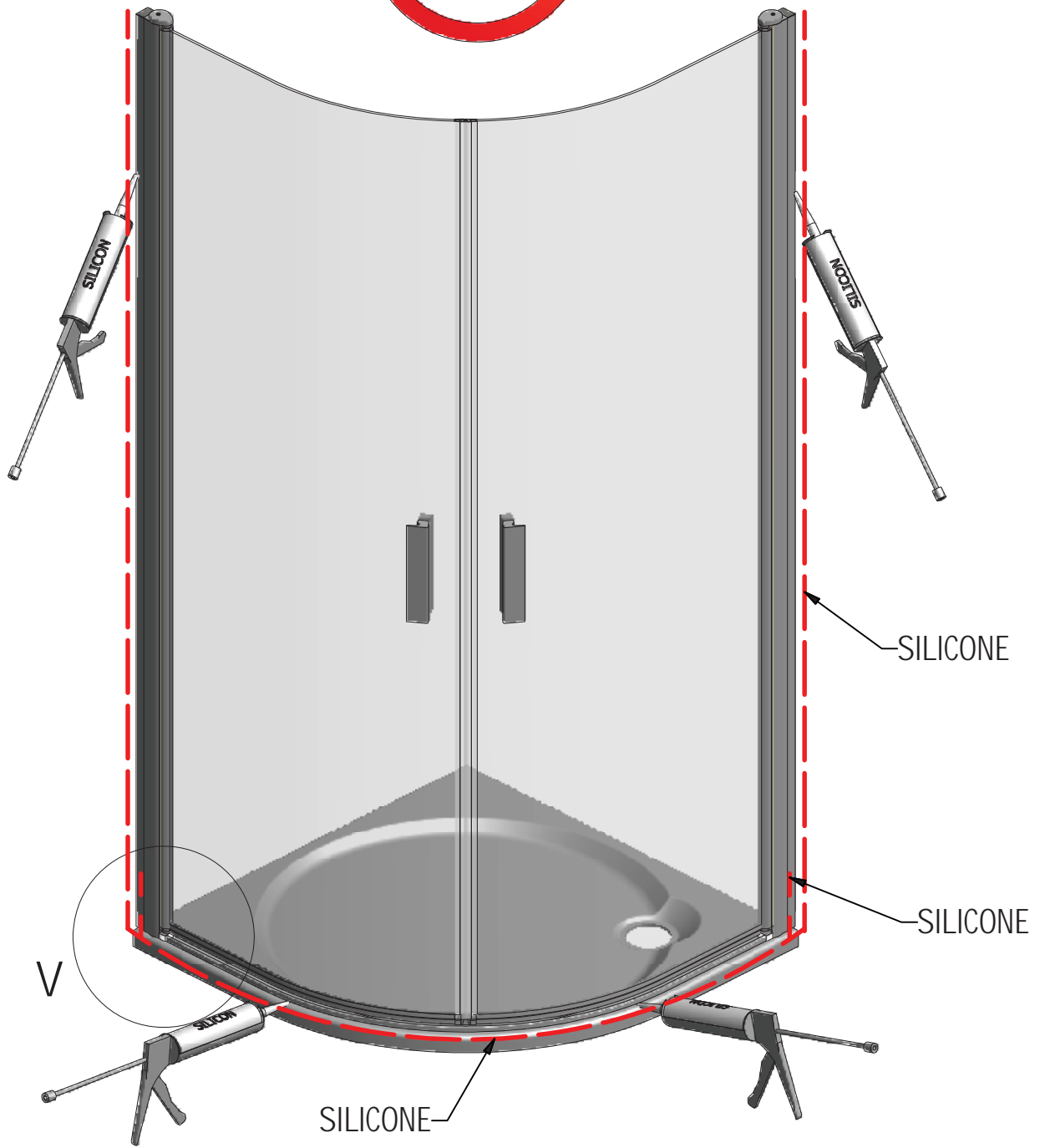
27

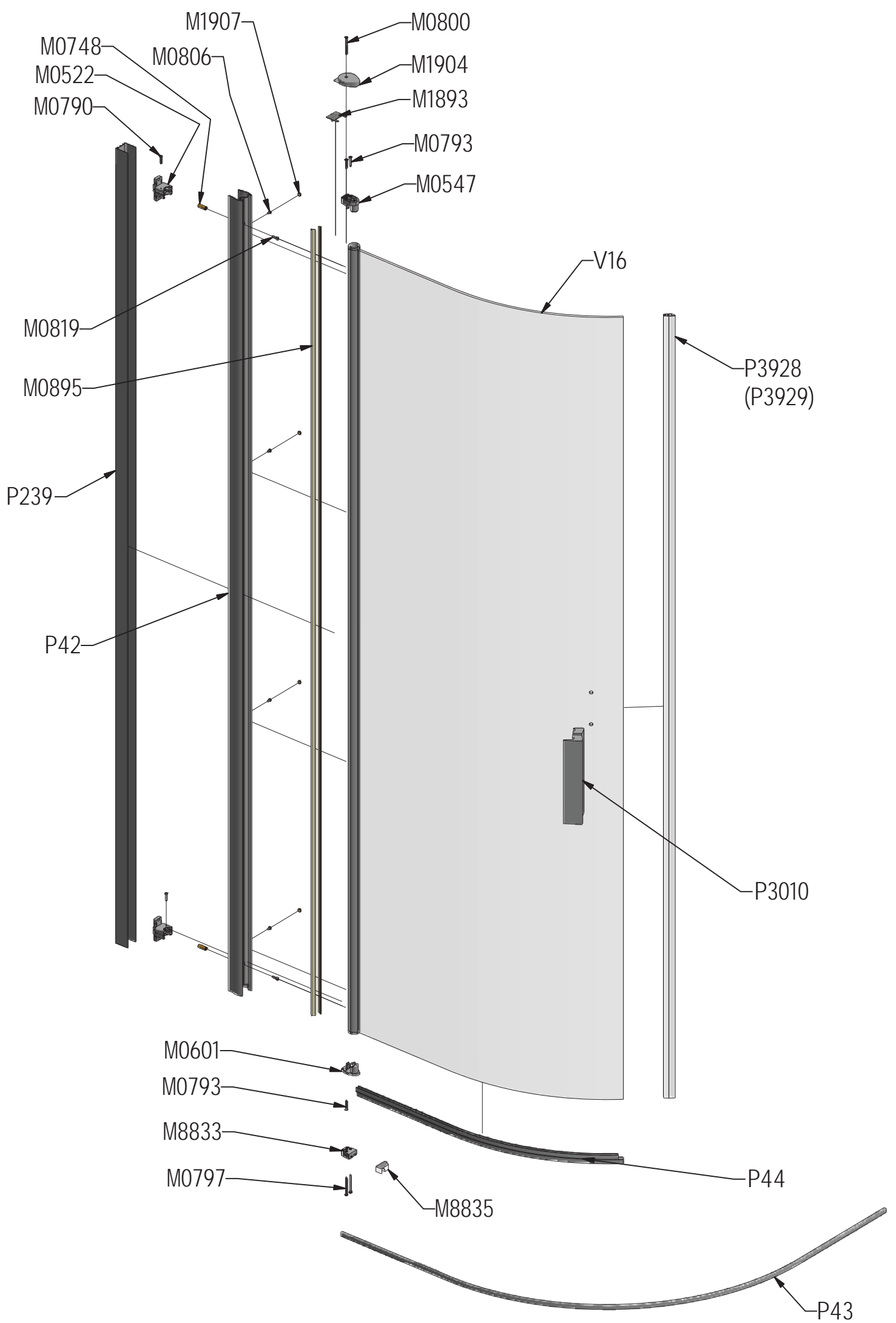
U3

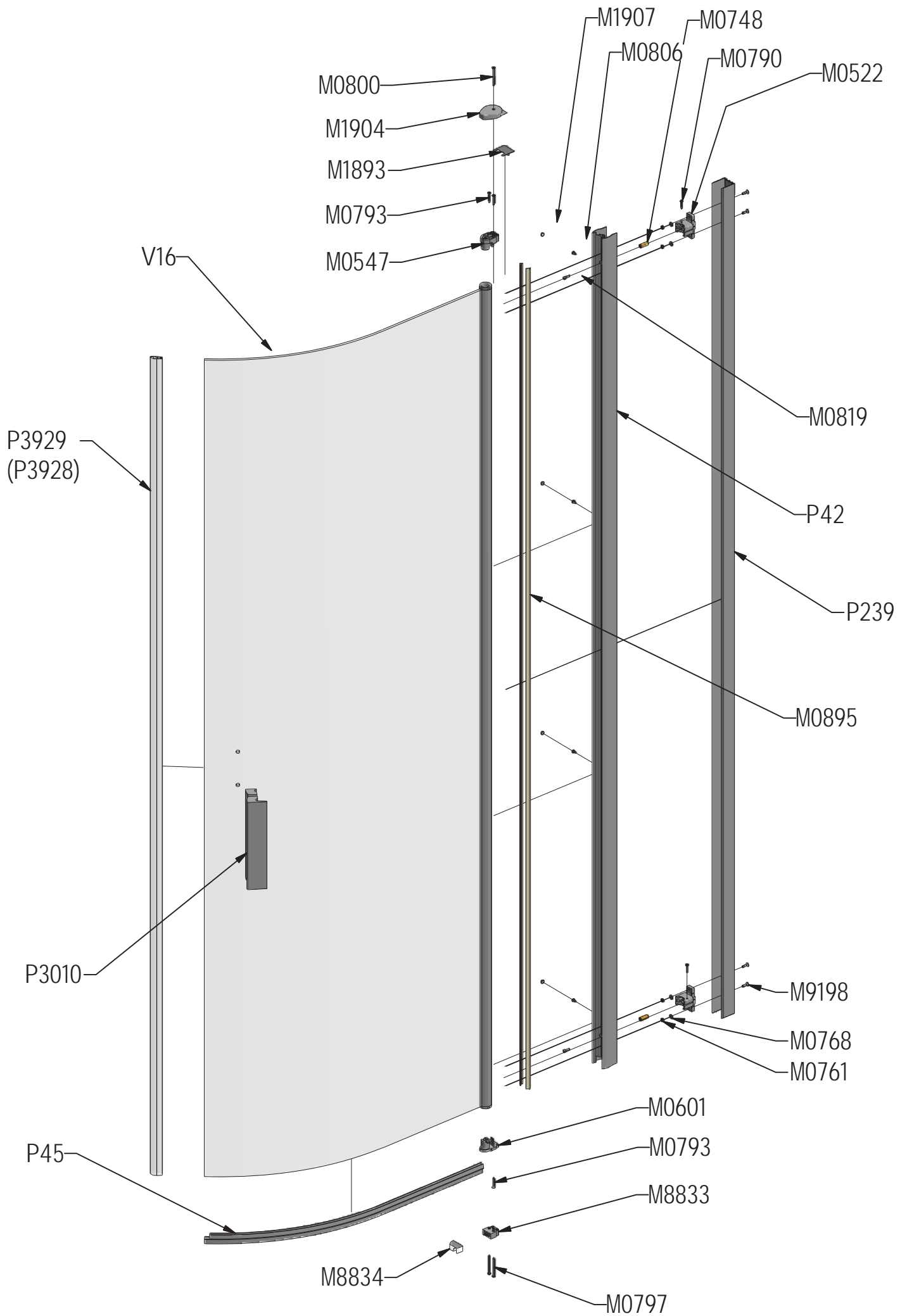


26,27

U4







P42		brillant		P1963
		elox		P1962
P43	900			P2291
	1000			P2292
P44				ND01-2232
P45				ND01-2233
P239		brillant		P3361
		stříbro		P3927

V16	900	brillant+clear glass	brillant+čiré sklo	ND02-0509-00-02
		elox+clear glass	elox+čiré sklo	ND02-0509-01-02
	1000	brillant+clear glass	brillant+čiré sklo	ND02-0510-00-02
		elox+clear glass	elox+čiré sklo	ND02-0510-01-02

