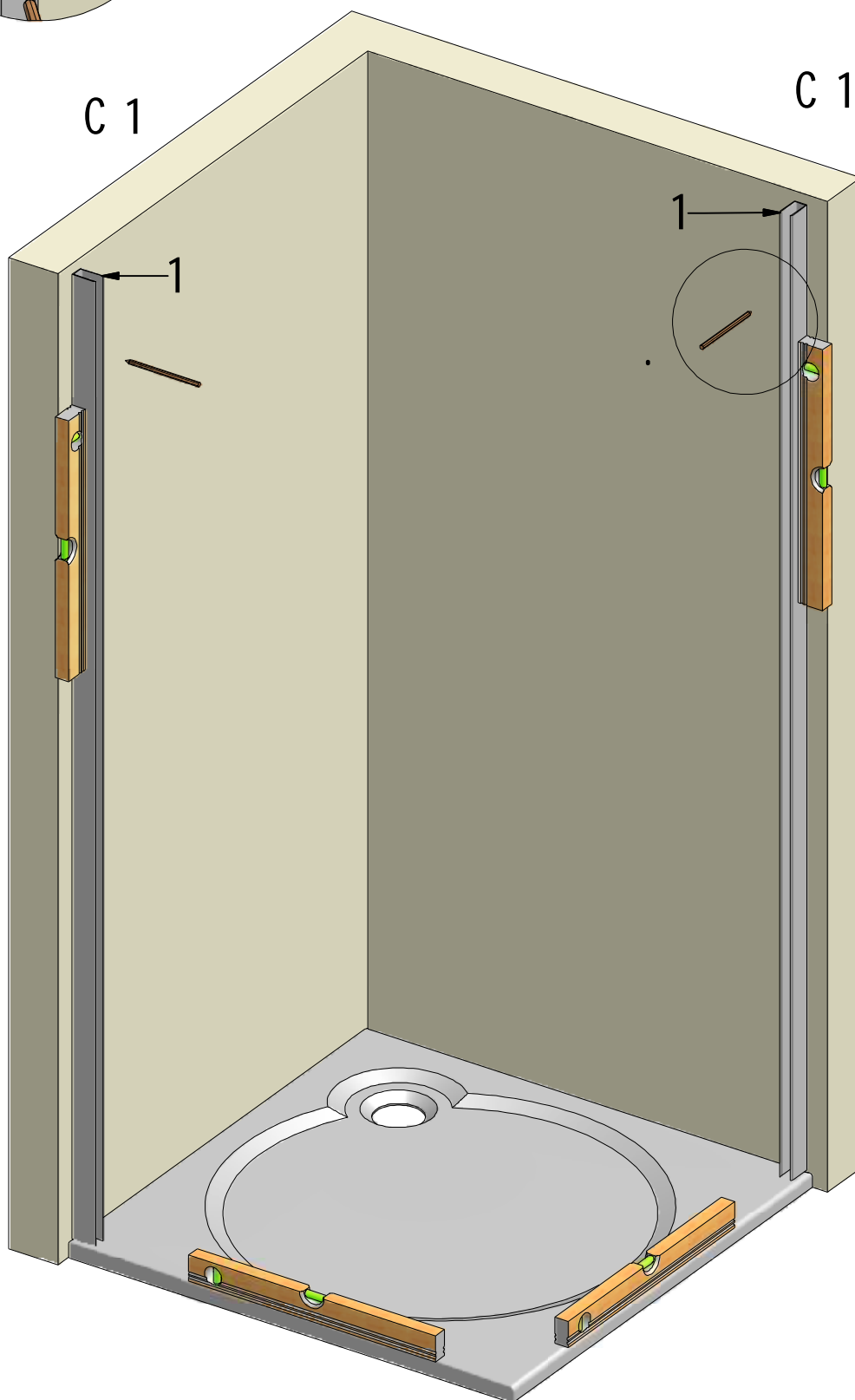
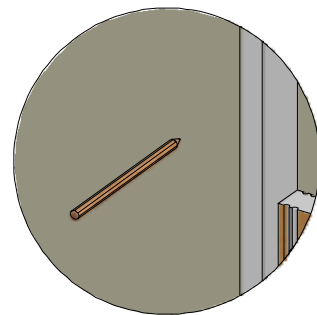
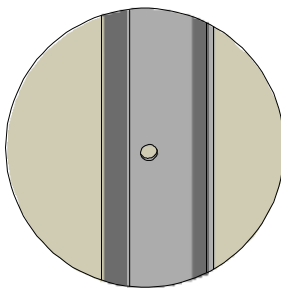
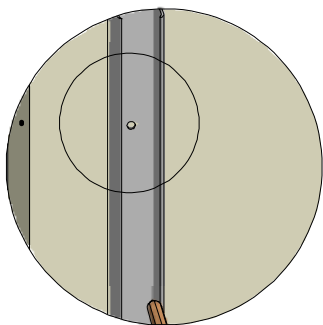
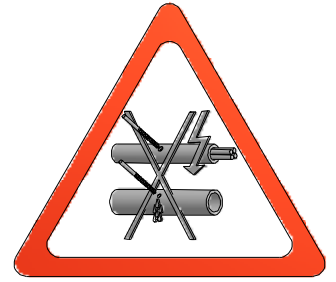
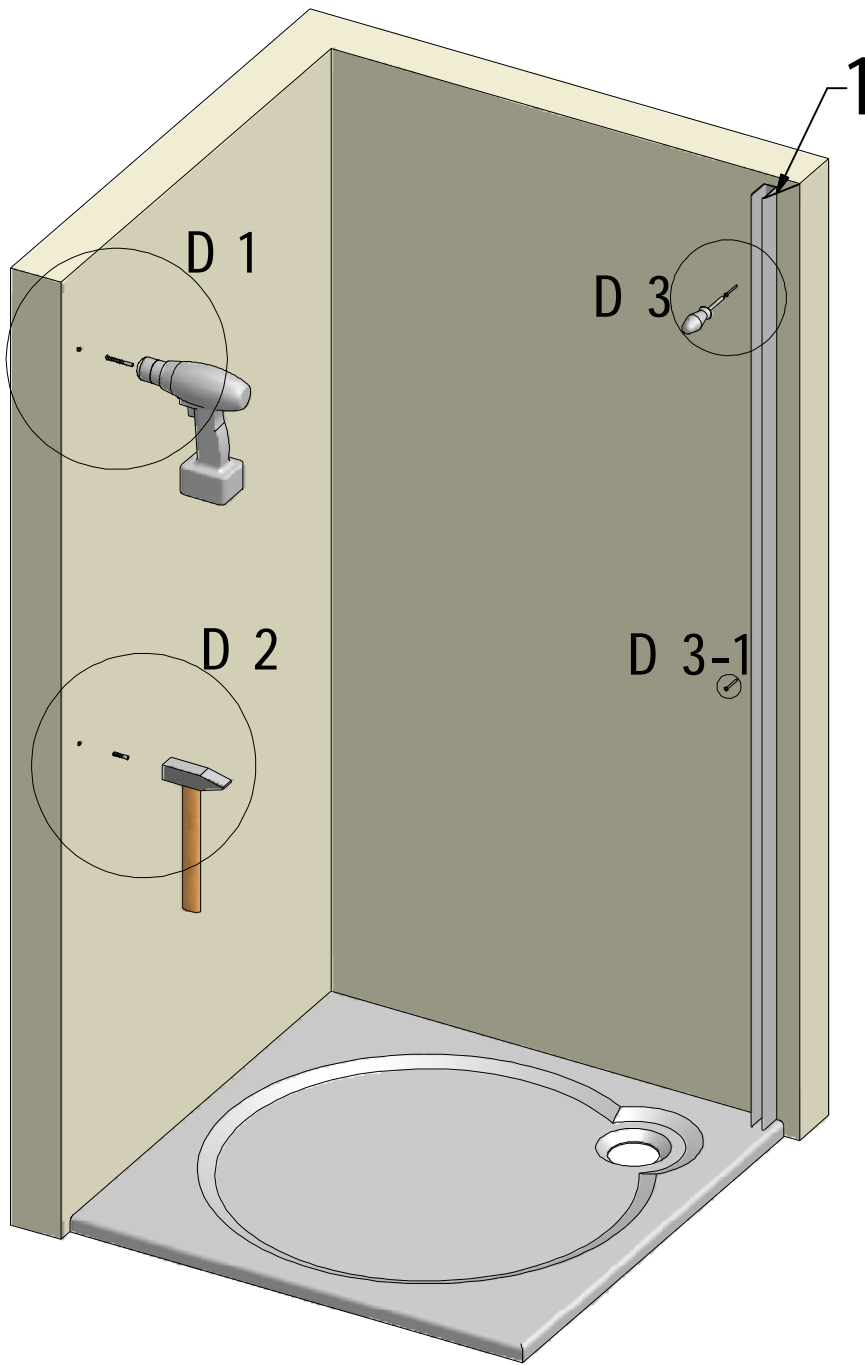


C 1

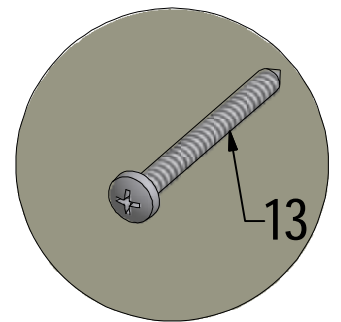
6 x

C 2

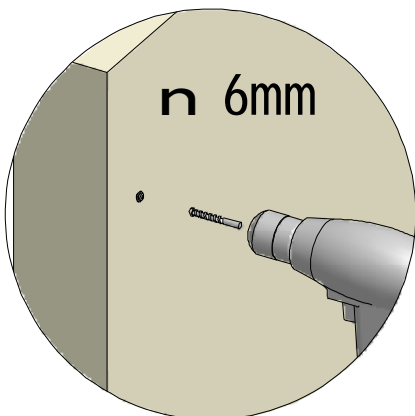




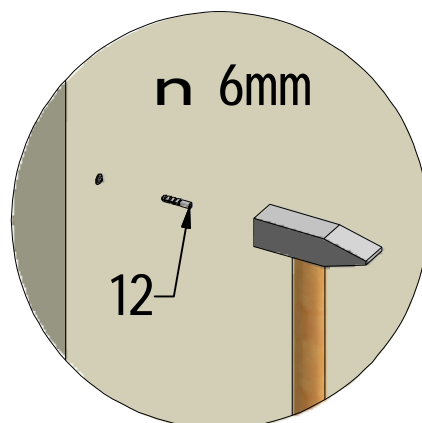
D 3-1



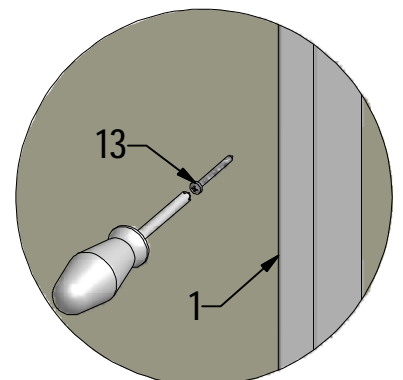
6x
D 1

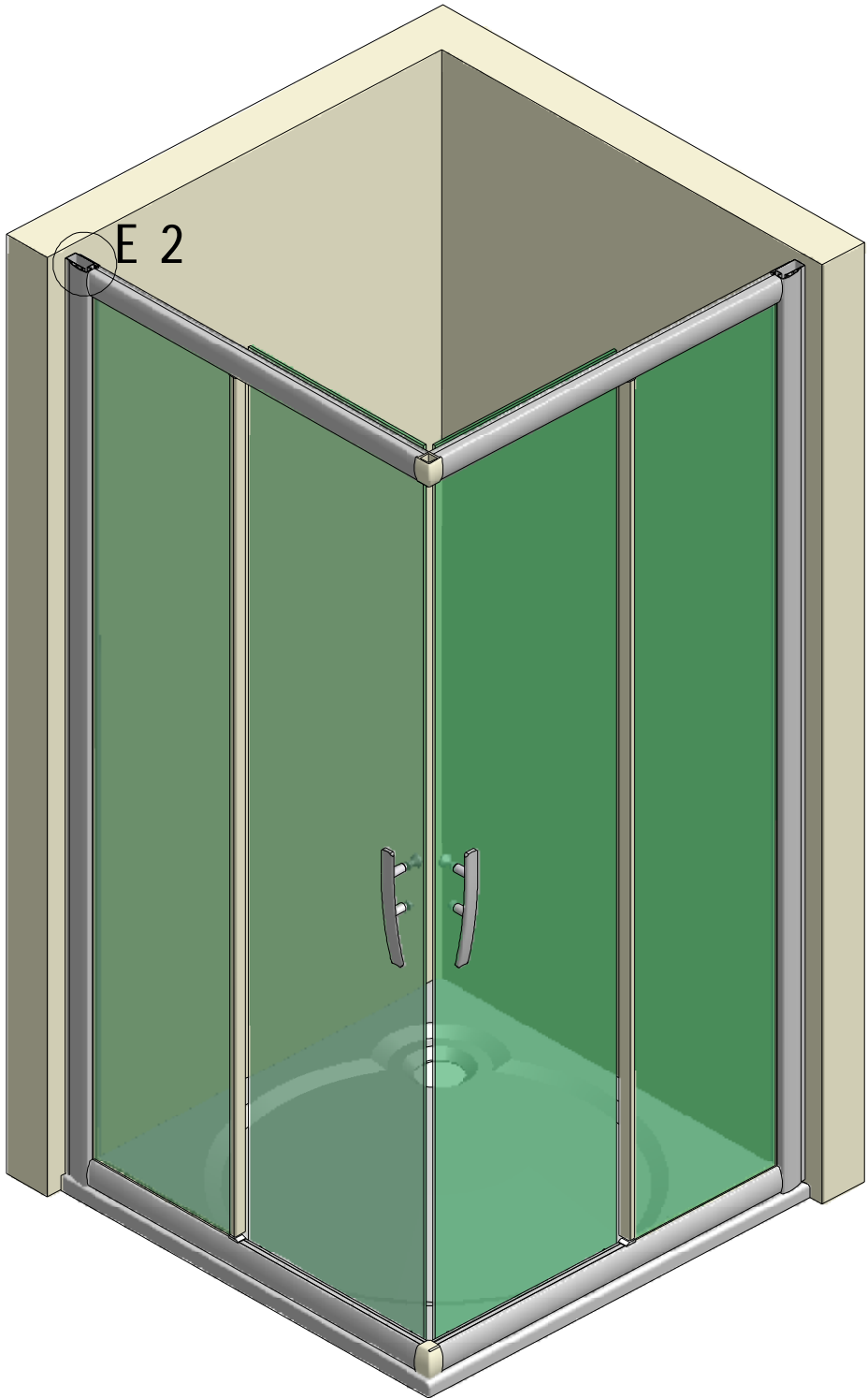
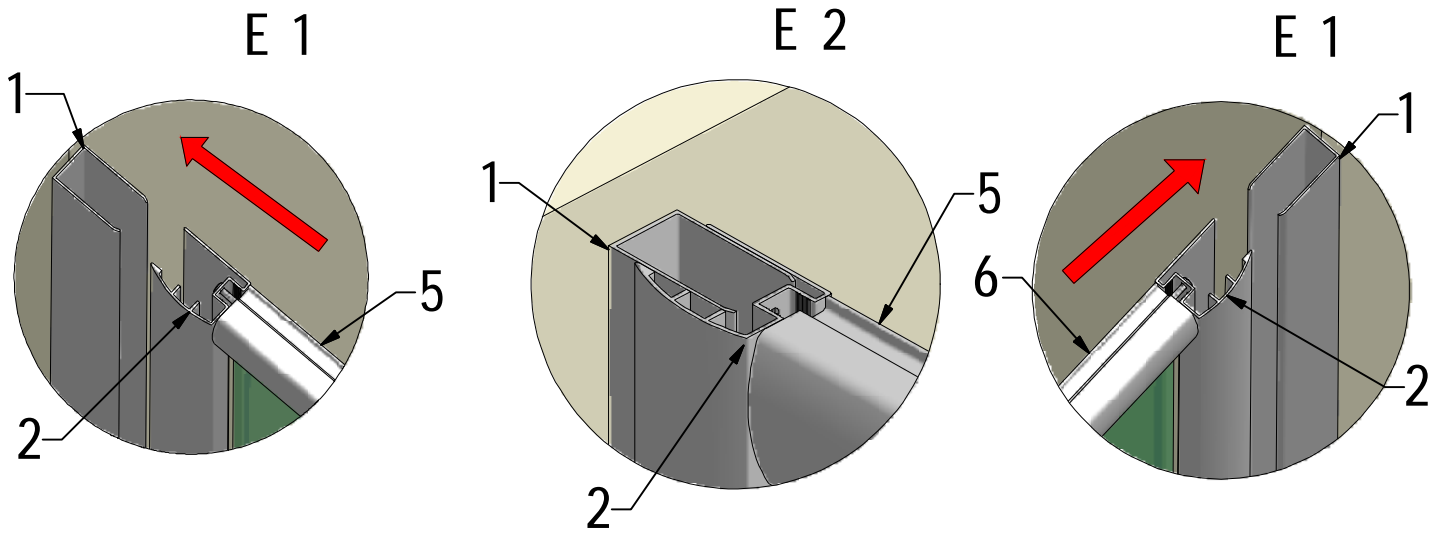


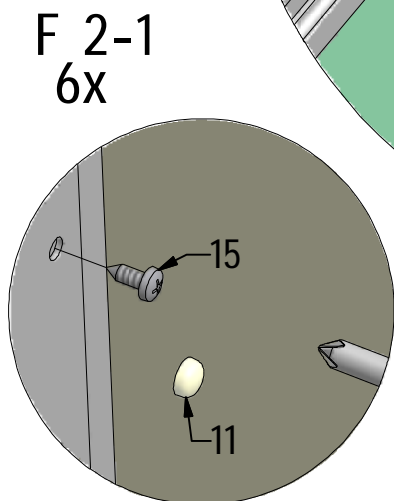
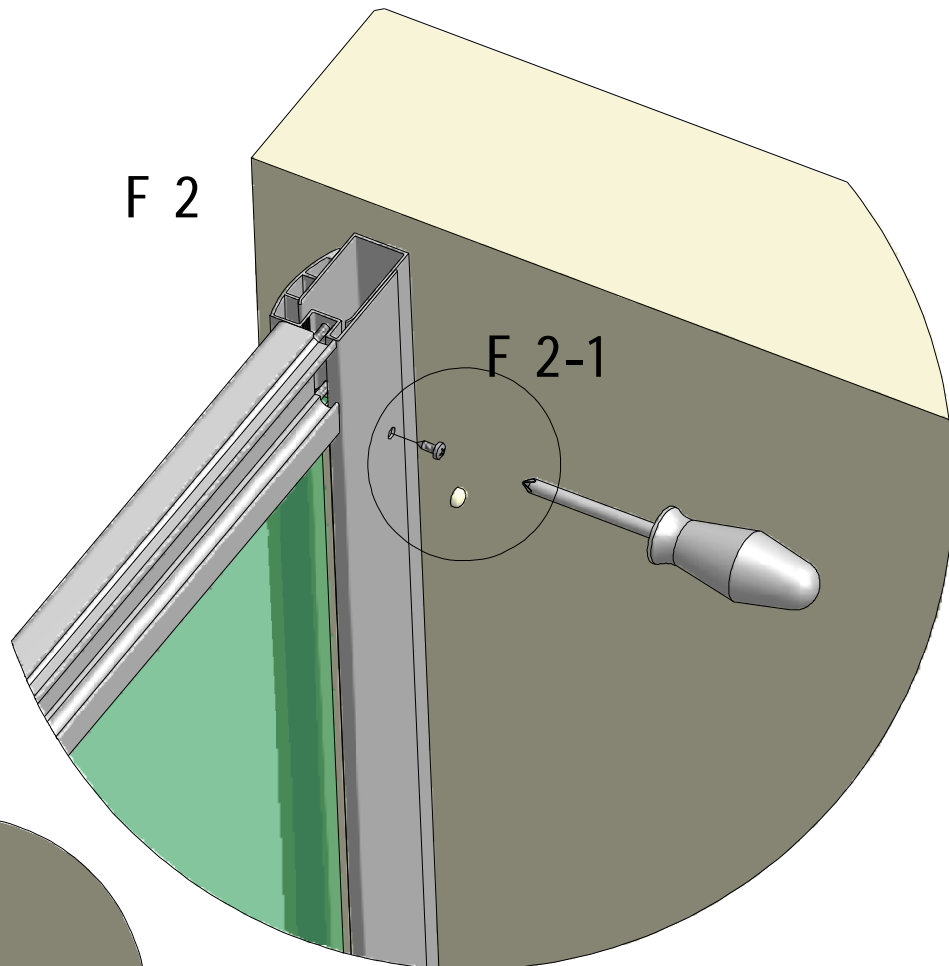
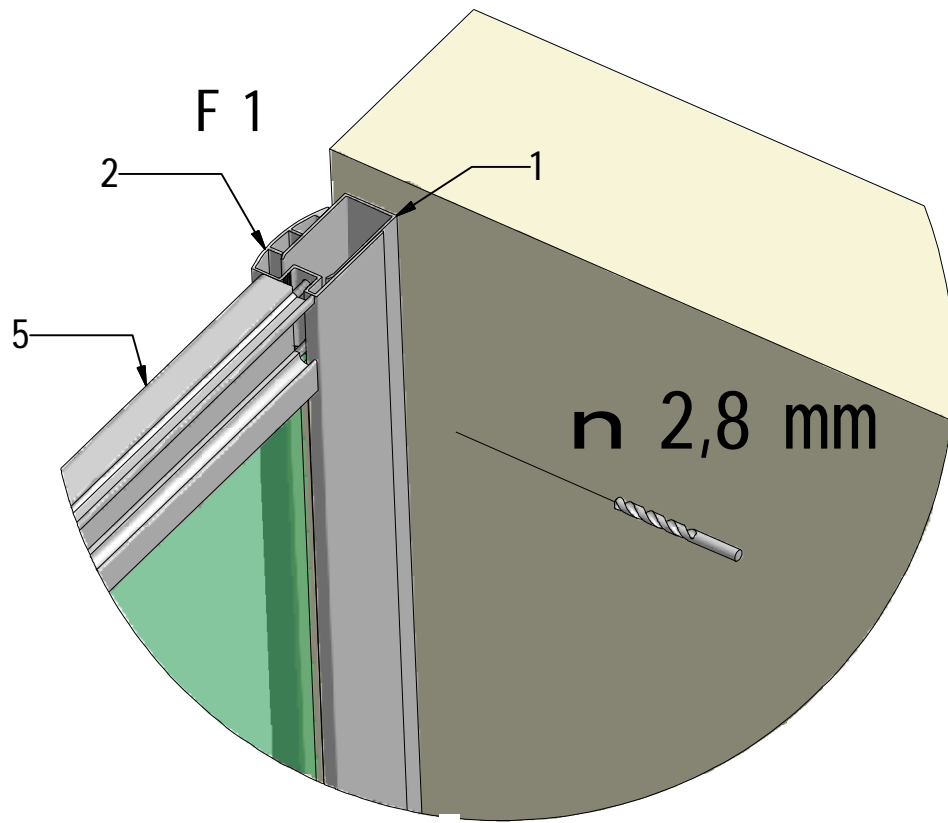
6x
D 2



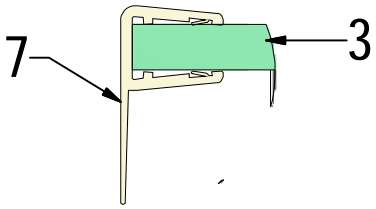
6x
D 3



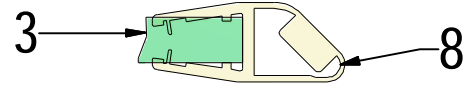




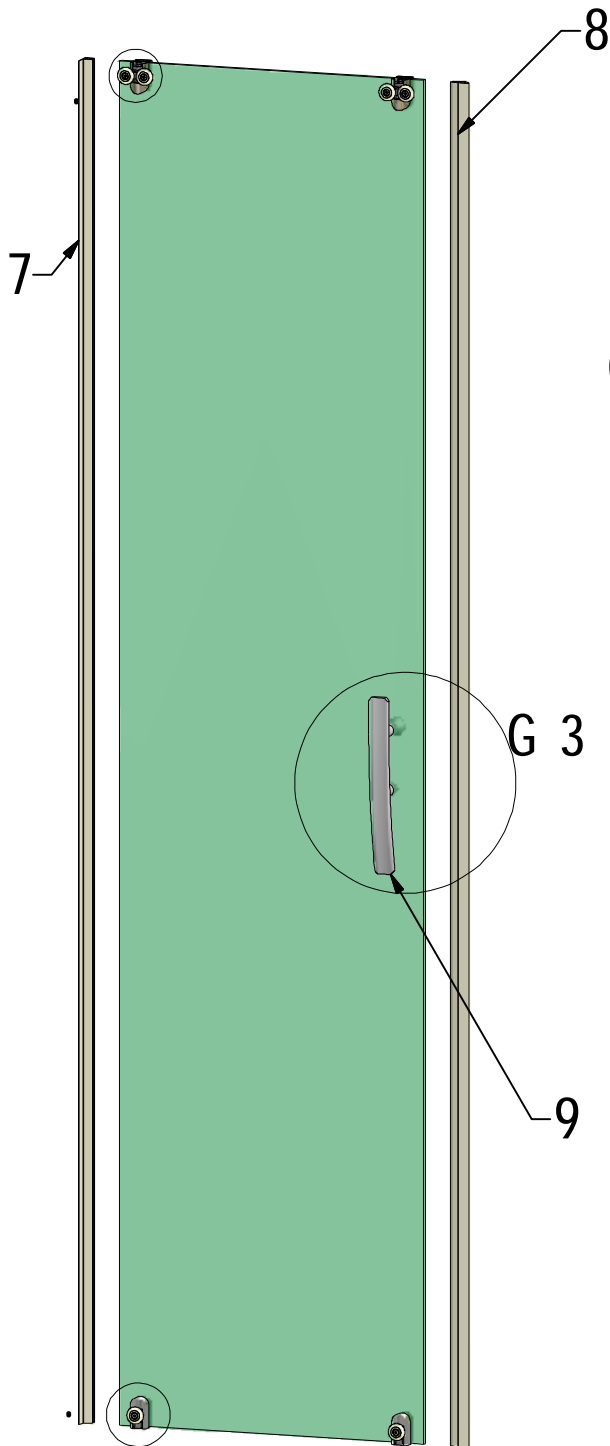
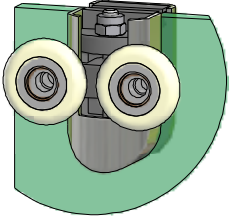
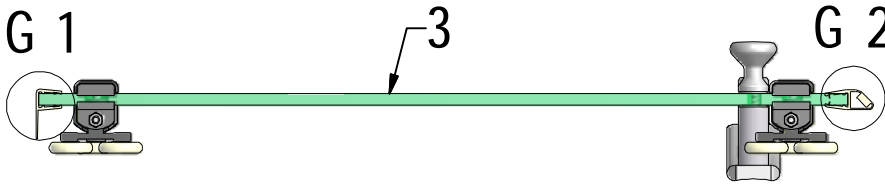
G 1



G 2



G 1



G 3

