

Product: **KLUDI TASSO 90 pop up waste DN 40/50**

Ref.: **2109100-00**

### Product description

pop up waste DN 40/50  
for flat shower tubs with  $\varnothing$  90 mm waste hole  
diameter  
with removable siphon trap  
50 mm water seal height  
cleanable  
LGA approved in acc. to DIN EN 274

Finishes:  
00

### Advertisement

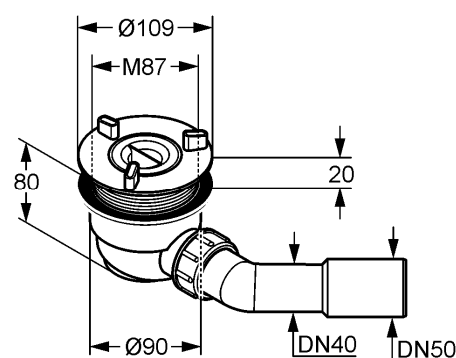
- \* KLUDI GmbH & Co KG KLUDI TASSO 90 pop up waste item no. 2109100-00
- \*\* plastic, without trim set item no. 7137005-00
- \*\*\* DIN EN 274, LGA tested

pop up waste, manufacturer KLUDI GmbH & Co KG KLUDI TASSO 90 pop up waste item no. 2109100-00, white plastic, pop up waste, 50 mm water seal height, self-cleaning, approved acc. to DIN EN 274 / DIN 19545, qualification approval LGA Bayern, without trim set 7137005-00, bent outlet DN 40 / 50, overall height 80 mm, for flat shower tubs with  $\varnothing$  90 mm waste hole, with removable siphon trap, waste flow rate H 1 = 120 mm = 50,0 l/min (according to DIN EN 274 / 19 545), cleanable,

### Product picture



### Dimensional drawing



### Flow rate diagram

flow rate reg.  
DIN EN 274 / 19545  
H1 = 120 mm  
  
~ 50,0 l/min

