


VOGA I


950 1.5KO


 minimal cabinet size

 reversible sink

 inset sink

 installation with mounting clips

 cutting template included

 automatic siphon included

 possibility of a dishwasher connection

 possibility of installing a waste disposer

 available in wide colors range

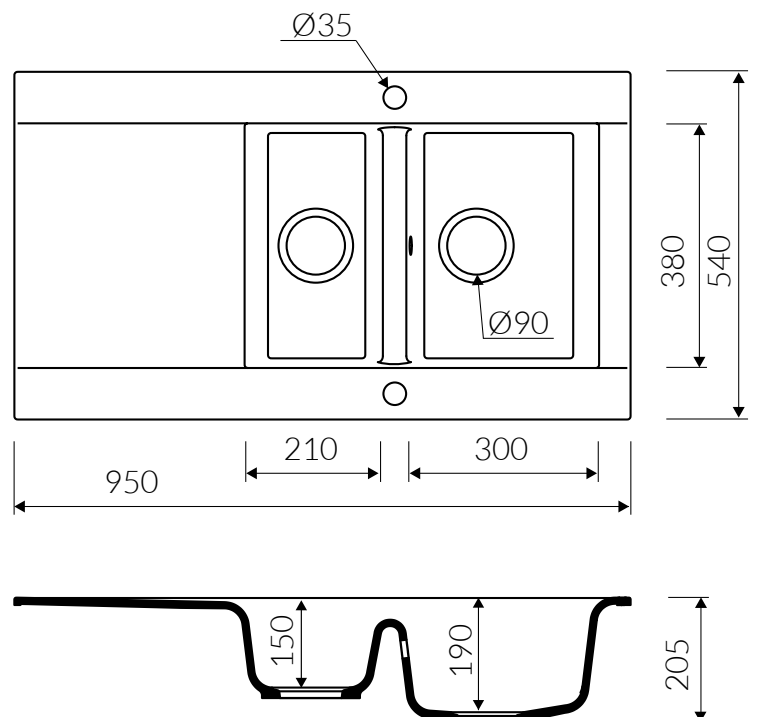
 material: MAGRANIT®

 weight: 15.2 kg

1.5 BOWL SINK WITH DRAINER

P_Z_097_51_0950

LENGTH	WIDTH	HEIGHT
950	540	205



Dimensions of the kitchen sink may differ by 0.3 %.

